

USFULL 满毅电气

ZHEJIANG FULLWILL ELECTRIC CO., LTD.



+86 137 0677 0280



www.usfull.com



Scarlett@usfull.com



USFULL.....



Company Introduction



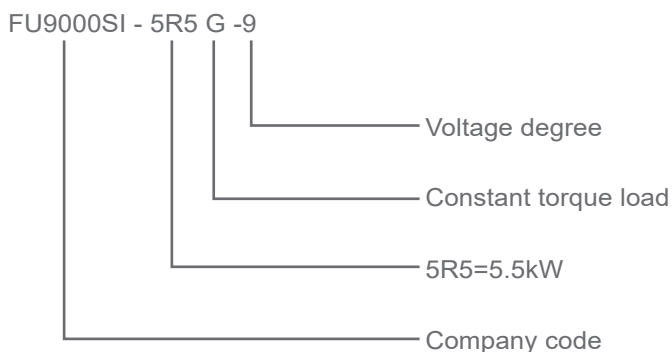
Full of confidence, Will only offer satisfactory quality.

Zhejiang Fullwill Electric Co., Ltd. (brand: USFULL) was established in 2005. The company focuses on the R&D, manufacture and sales of products in four major areas, including solar pump inverter, PV accessories, low-voltage electrical products, and industrial VFD.

We have a strong manufacturing department and quality control department, to ensure state-of-art quality, stable performance and in-time delivery.

Full of energy, full of goodwill. USFULL team will keep moving to supply customized solutions to make users happier.

USFULL		CE
Model: FU9000SI-5R5G-9		V3
Power: 5.5kW		IP20
Input: DC 250V-900V		
	AC 3PH 380V(-15%)-440V(+10%) 19.5A 47Hz-63Hz	
Output: AC 3PH 0V-Uinout 14A 0Hz-400Hz		
S/N: <input type="text"/>		
		Made in China
ZHEJIANG FULLWILL ELECTRIC CO., LTD.		

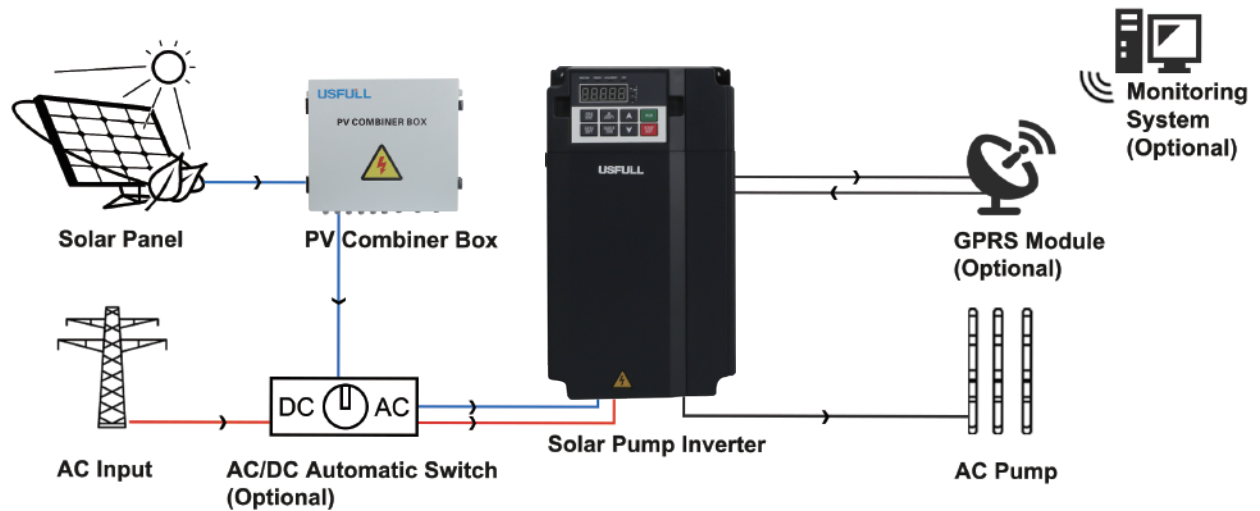


Voltage Degree

Model	-SS2	-S2	-4	-9
AC Input Voltage (VAC)	1PH 220(-15%)~240(+10%)		3PH 380(-15%)~440(+10%)	
Output Voltage (VAC)	1PH 0-220V	3PH 0-220V	3PH 0-380V	
Max. DC Voltage (VDC)	450		800	900
Start-up Voltage (VDC)	200		300	
Lowest Working Voltage (VDC)	150		250	
Recommend DC Input Voltage Range (VDC)	200~450		300~750	300~850
Recommend MPP Voltage (VDC)	330		550	
Output Frequency (Hz)	0~400Hz			



Series	Model	Rated Output Power (KW)	Rated input Current (A)	Rated Output Current (A)
FU9000SI-SS2 (0.75kW~4kW)	FU9000SI-0R7G-SS2	0.75	9.3	7.2
	FU9000SI-1R5G-SS2	1.5	15.7	10.2
	FU9000SI-2R2G-SS2	2.2	24	14
	FU9000SI-004G-SS2	4	32	25
	FU9000SI-5R5G-SS2	5.5	35	30
FU9000SI-S2 (0.75kW~2.2kW)	FU9000SI-0R7G-S2	0.75	9.3	4.2
	FU9000SI-1R5G-S2	1.5	15.7	7.5
	FU9000SI-2R2G-S2	2.2	24	10
FU9000SI-9 (0.75kW~630kW)	FU9000SI-0R7G-9	0.75	3.4	2.5
	FU9000SI-1R5G-9	1.5	5	4.2
	FU9000SI-2R2G-9	2.2	5.8	5.5
	FU9000SI-004G-9	4	13.5	9.5
	FU9000SI-5R5G-9	5.5	19.5	14
	FU9000SI-7R5G-9	7.5	25	18.5
	FU9000SI-011G-9	11	32	25
	FU9000SI-015G-9	15	40	32
	FU9000SI-018G-9	18.5	47	38
	FU9000SI-022G-9	22	51	45
	FU9000SI-030G-9	30	70	60
	FU9000SI-037G-9	37	80	75
	FU9000SI-045G-9	45	94	92
	FU9000SI-055G-9	55	128	115
	FU9000SI-075G-9	75	160	150
	FU9000SI-090G-9	90	190	180
	FU9000SI-110G-9	110	225	215
	FU9000SI-132G-9	132	265	260
	FU9000SI-160G-9	160	310	305
	FU9000SI-185G-9	185	345	340
	FU9000SI-200G-9	200	385	380
	FU9000SI-220G-9	220	430	426
	FU9000SI-250G-9	250	468	465
	FU9000SI-280G-9	280	525	520
	FU9000SI-315G-9	315	590	585
	FU9000SI-355G-9	350	665	650
FU9000SI-400G-9	400	485	725	
FU9000SI-450G-9	450	820	782	
FU9000SI-500G-9	500	883	820	
FU9000SI-630G-9	630	1080	1000	



● High Efficiency Automatic MPPT

Maximum power point tracking function guarantees the system to get the highest power output from solar panel and maximizes the efficiency of pumping system.

● Best Off-grid Solution

For off-grid area, solar pump inverter without battery is the most ideal solution for pumping.

● Professional Pump Protection

Automatic start and stop in the morning, for full tank and water shortage of water well.

● Easy Operation Program

The inverter is fully automatic. After connecting cables correctly, power on and it will run.